

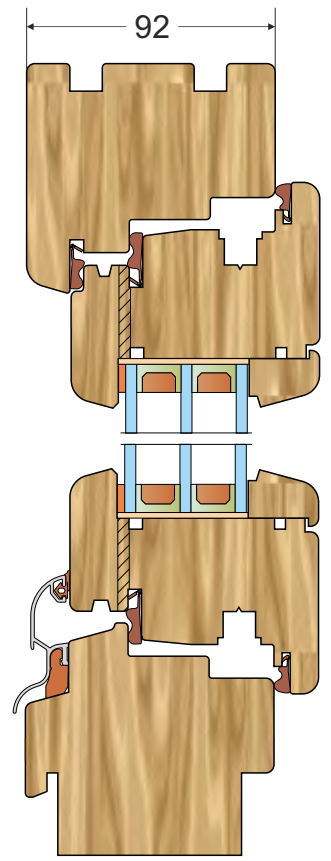
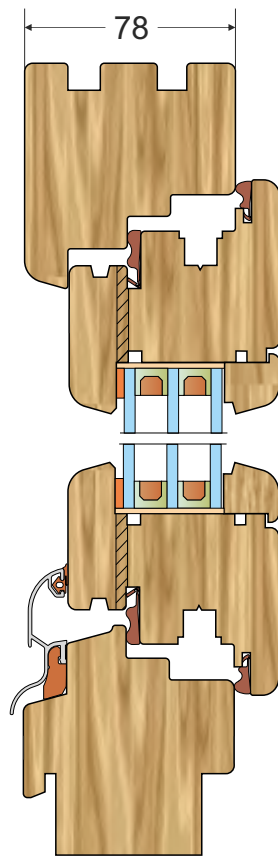
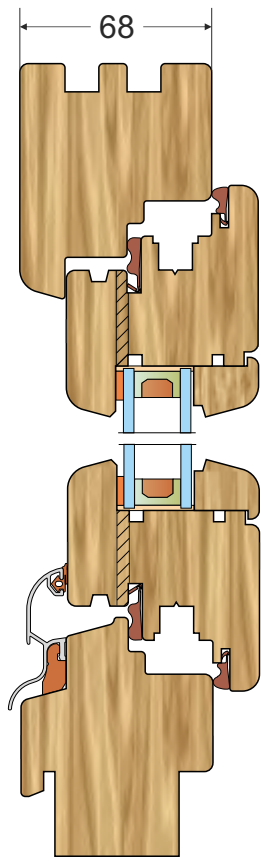
Smart Set Tools



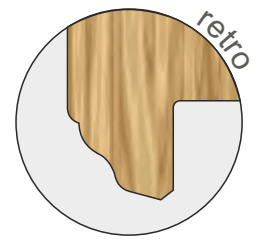
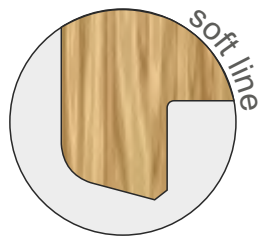
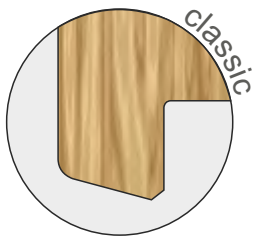
A new era in the production of windows

ZPH "FREZWID" sp.j.
32-050 Skawina ul. Piłsudskiego 7B
tel.: +48 12 276 33 51
e-mail: sekretariat@frezwid.com.pl
www.frezwid.com.pl

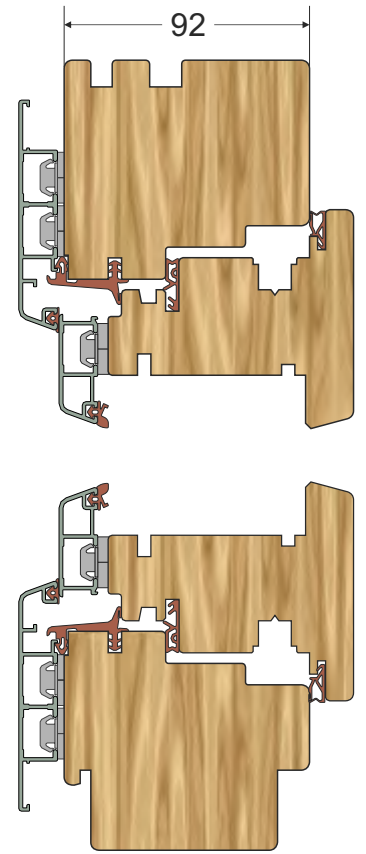
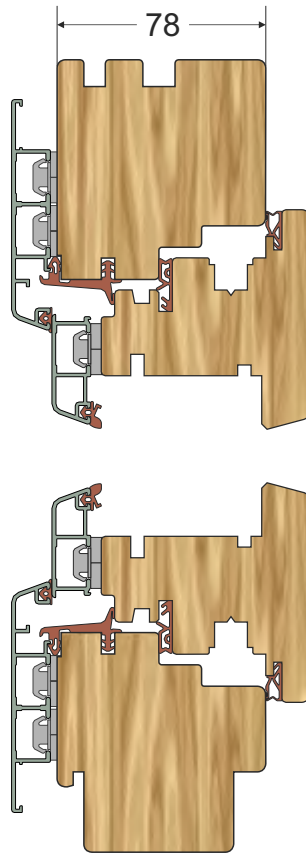
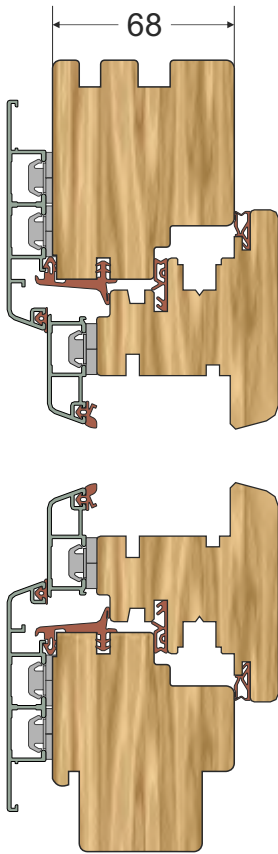
wooden windows



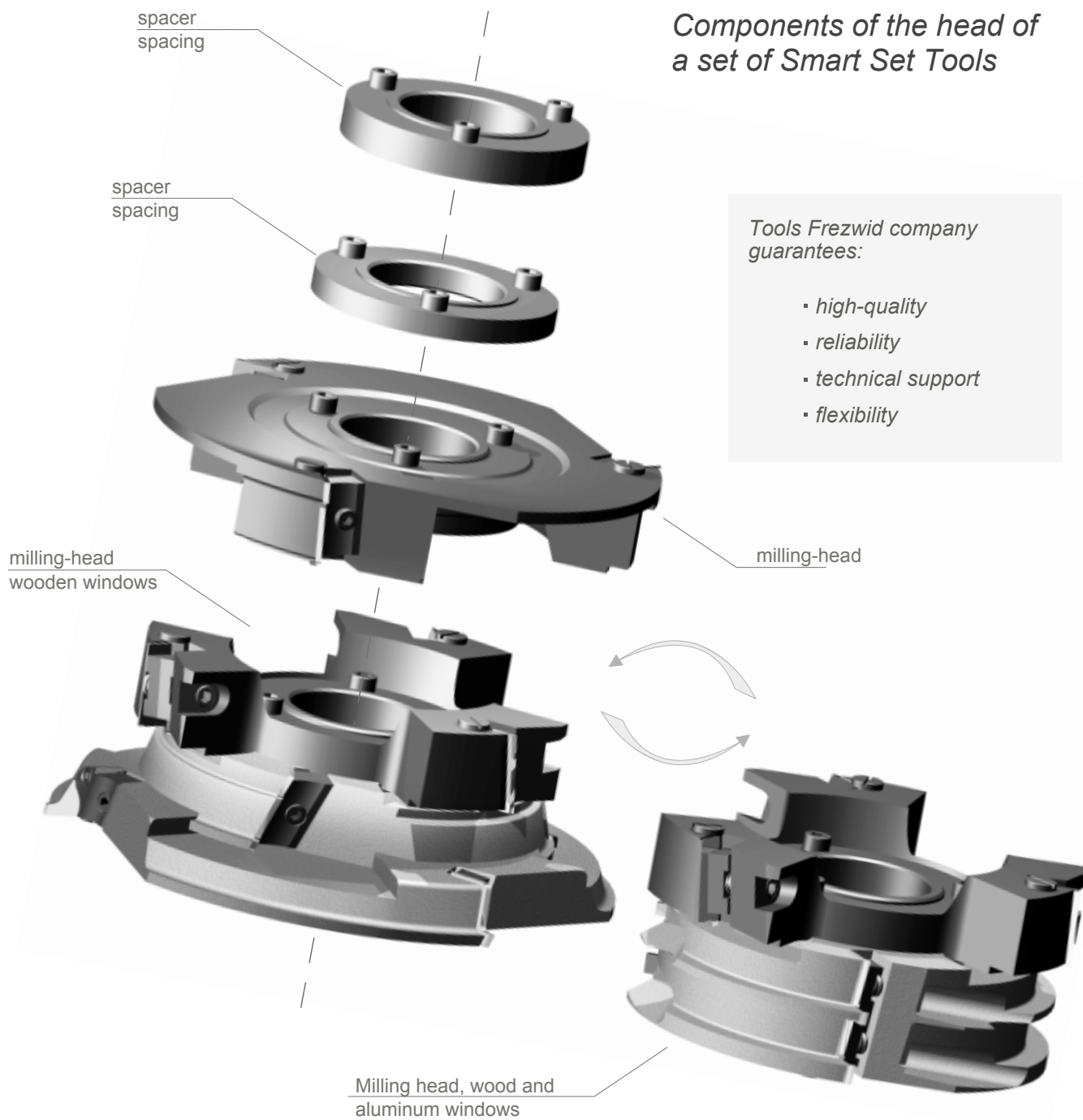
profiles



Wooden aluminum windows



Components of the head of a set of Smart Set Tools



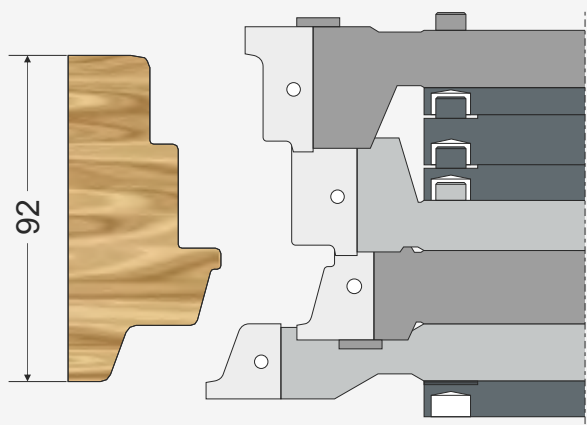
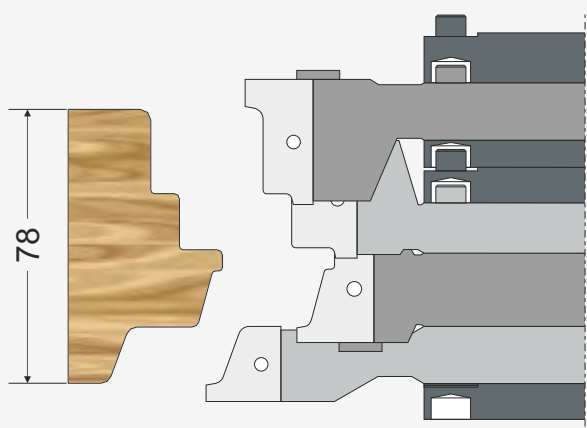
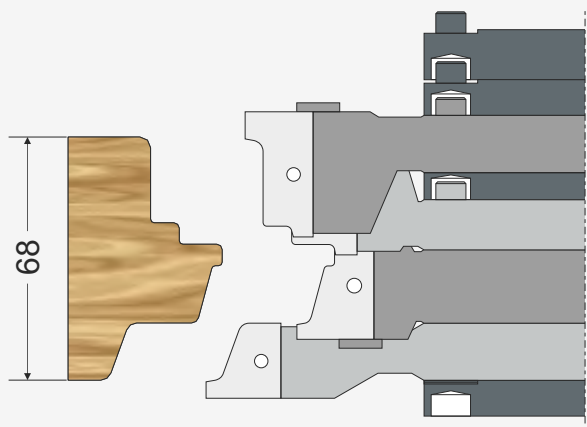
Tools Frezwid company
guarantees:

- high-quality
- reliability
- technical support
- flexibility

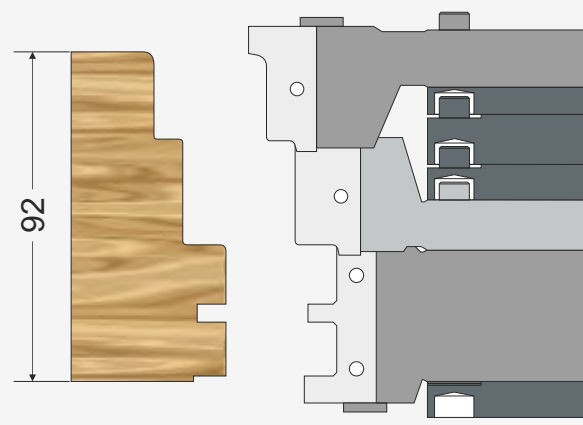
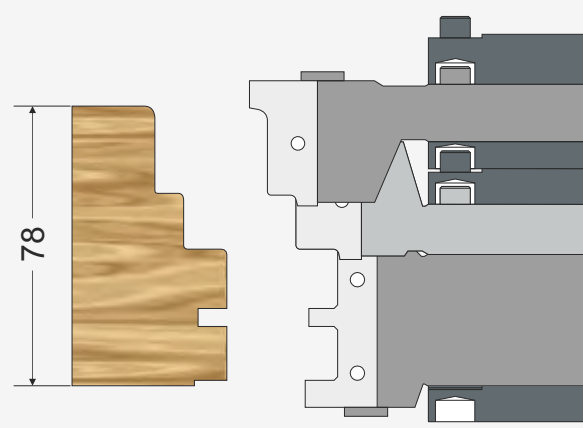
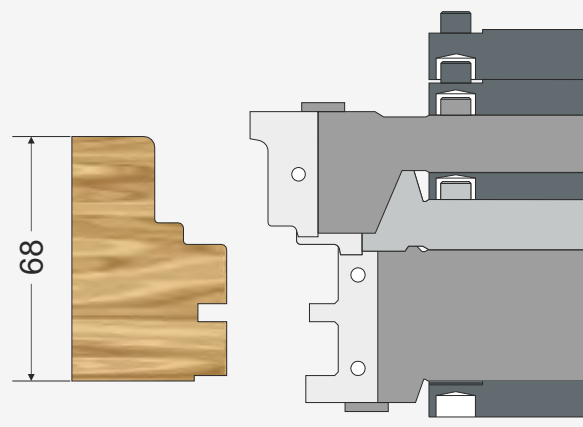
We are pleased to present you the long-awaited, the latest product of Frezwid. Excellent and easy-to-use solution dla firm who want to quickly and flexibly respond to the needs of its customers.

Innovative solutions used in the SMART SET TOOLS, allow you to quickly and easily change profiles to be produced wooden or aluminum windows. The use of a complete set of heads, will enable the production of twelve types of windows.

wooden windows



Wooden-aluminum windows



With a clear technical documentation, tools retrofitting becomes easy and intuitive. Another advantage is that the tools are made of mainstreaming the individual needs of the customer and held his machine park.

Taking care of the highest quality of service, we offer technical advice to its partners and to help start the production process.