



Purchase order form
end mills and drills

Tel.: +48 12 276 33 51
E-mail: suchan@frezwid.com.pl

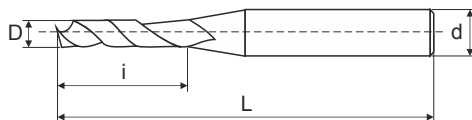
I order the following tools for machining PVC profiles:

Knives for burrs: (please sketch blades)

type cleaning machine

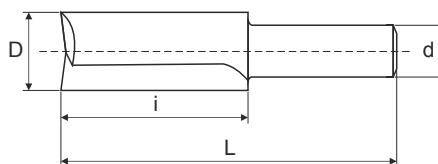
Mills trailer for drainage

The diameter of the working portion ΦD [mm]		one feather	<input type="checkbox"/>
Diameter of the shank Φd [mm]		two feather	<input type="checkbox"/>
The length of the working portion, i [mm]		torsion	<input type="checkbox"/>
Total length L [mm]		simple	<input type="checkbox"/>



The double door bolt cutters

The diameter of the working portion ΦD [mm]	
The diameter of the shank Φd [mm]	
The length of the working part i [mm]	
Overall length L [mm]	

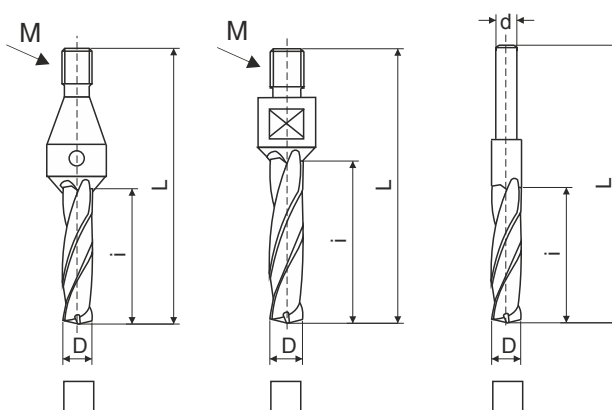


A set of drill bits in the handle

The diameter of the shank thread or Φd [mm]		M
The length of the working part i [mm]		
Overall length L [mm]		

Please select the diameter of the working part ΦD , and how the system working drill:

right	left	right		left	right	left	
8 - 12 - 8			<input type="checkbox"/>	8 - 12 - 8			<input type="checkbox"/>
10 - 12 - 10			<input type="checkbox"/>	10 - 12 - 10			<input type="checkbox"/>
12 - 12 - 12			<input type="checkbox"/>	12 - 12 - 12			<input type="checkbox"/>
10 - 14 - 10			<input type="checkbox"/>	10 - 14 - 10			<input type="checkbox"/>
.....			<input type="checkbox"/>			<input type="checkbox"/>



Drills with remote control yes no

Company:
VAT number:
Address::
Phone No.:
E-mail:

DATE / SIGNATURE